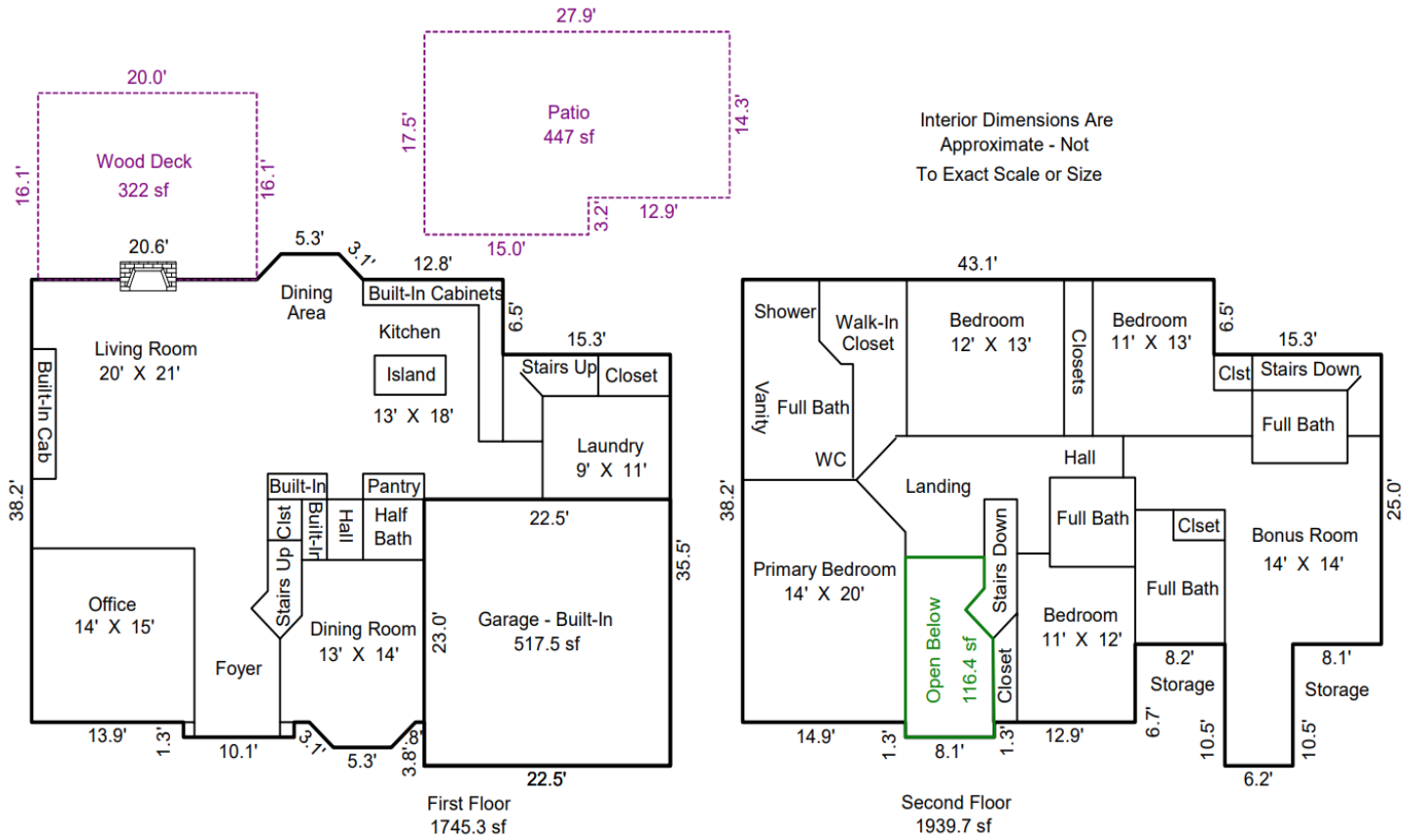


Whisper Creek Drive

- PROVIDENCE COUNTRY CLUB -

Floor Plan

Main Level - 1743
Second Floor - 1940
Garage - 518
Outdoor - 769



Sketch by ApexSketch